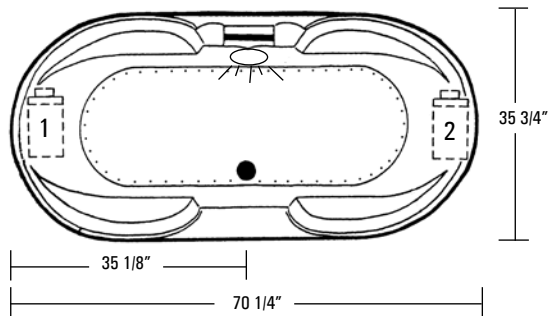


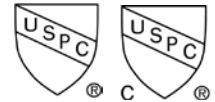
SERENITY 16

AQUATIC

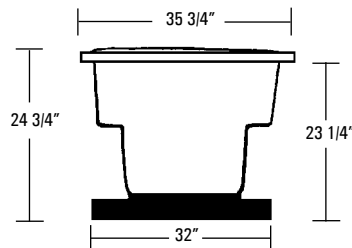
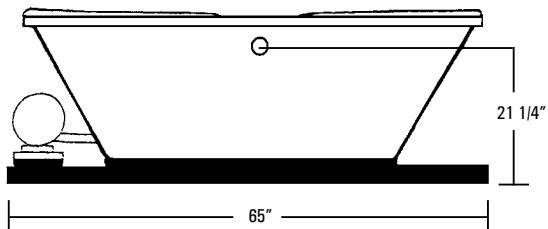
SERENITY Air Baths MODEL # A116AIR7036 / A116AIR7036TO (Tub Only)



Two Person Bath

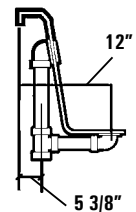


ALSO AVAILABLE AS TUB ONLY



Note: Serenity tub only models feature a Pre-levleled ABS Support Base.

Rough-In Plumbing Measurements



SPECIFICATIONS:

GENERAL SPECIFICATIONS:

Tub Size	70 1/4" x 35 3/4" x 24 3/4" 178 cm x 91 cm x 63 cm
Bathing Well	45 3/4" long 19" wide 22 3/4" interior depth
Shipping Weight	146 lbs. / 66 kg
Tub Weight Filled	828 lbs. / 376 kg
Gallons to Overflow	80 gal. / 303 L
Gallons to Operate	1 bather: 61 gal. / 231 L 2 bathers: 42 gal. / 159 L

ELECTRICAL SPECIFICATIONS:

Blower/Heater	1 HP; 10.5 AMP; 120V
Requirement	15 AMP; 120V, separate circuit required protected w/ Class A GFCI

STANDARD EQUIPMENT:

- Air Bath System:**
- 61 Air Jets
 - 1 HP Variable Speed Air Blower with 20-Minute Timer
 - 600 Watt Air Heating System
 - Electronic Control Package with Wave and Pulse Features
 - Automatic Purge and Dry Cycle with Water Sensors
- Aquatic Quality Features:**
- Chromatherapy
 - Slip Resistant Floor
 - Air Channels Lined with Antimicrobial Coating
 - 4 Arm Rests
 - Pre-levleled ABS Support Base
 - Color Matched Grab Bar
 - Durable, Easy to Clean, Lucite® Cast Acrylic Surface
 - Available in 8 Standard No-Charge Colors
- UL & IAPMO Listed, Factory Tested**
Limited Lifetime Warranty

OPTIONAL EQUIPMENT:

- Comfort Pillow - Oval or Rectangle
- Grab Bar
 - White, Biscuit, Chrome, Polished Brass, Gold, Polished Nickel, Satin Nickel or Oil Rubbed Bronze
- Lift & Turn Waste and Overflow
 - Chrome, Polished Brass, Gold, Polished Nickel, Satin Nickel or Oil Rubbed Bronze
- Cable Drive Waste and Overflow
 - Chrome, Polished Brass, Gold, Polished Nickel, Satin Nickel, Oil Rubbed Bronze or Color Matched (Bone, White and Biscuit Only)
- Waterproof Remote Control with infrared sensor and 25' cord
- Optional Blower Location
- Remote Blower Wiring Kit
- Premium Colors

All acrylic colors featured by Aquatic match the industry's leading fixture manufacturers.

Fax-On-Demand Document # 1200



Each Serenity Air Bath model is equipped with a 600 watt air heating system to raise the temperature of the air going into the bath. This air temperature will be less than the bathing temperature of the water, but will help to reduce a rapid decrease in water temperature. In addition, the air coming from the air jets will feel cool against the skin, just as a breeze on a warm day cools your body. This system does not heat the water.

The manufacturer accepts a 1/4" variance. There are variations on each tub and specifications are subject to change as we improve upon our product as required. The dimensions needed for site preparation and structure building should be measured from the tub; Aquatic Industries, Inc. assumes no responsibility for preparatory work. www.aquaticwhirlpools.com 800.555.5324